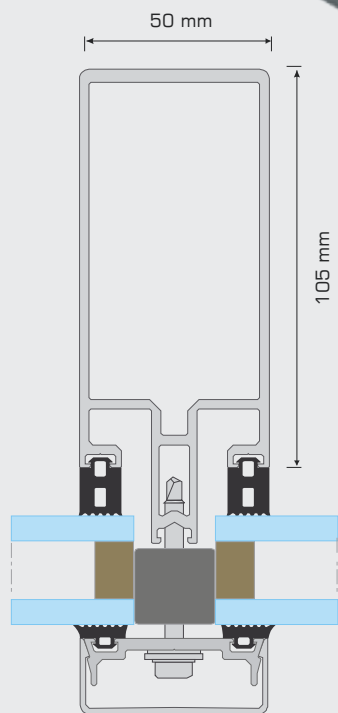


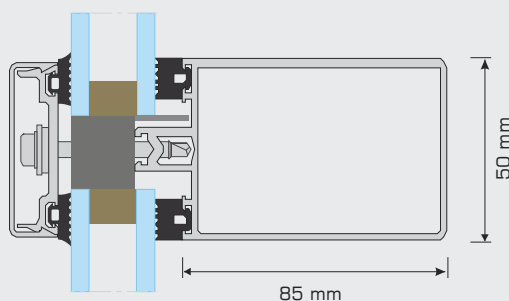
# SYSTEM

## MB-SR50 HI

Mullion/transom wall



Cross-section of a mullion



Cross-section of a transom

### Application

- light-weight curtain and filling walls, large glazed areas, spatial structures: rotundas, skylights, winter gardens

### Construction

- standard basic width of profiles: 50mm
- rounded external corners, giving the effect of so-called "soft line"
- wide range of profiles and accessories for angular, symmetric and asymmetric connections

### Glazing

- filling thickness ranging between 26 - 44mm

### Tightness

- continuous thermal barrier made of PE material, raised gaskets and accessories ensuring high thermal and acoustic insulation performance
- thermal insulation: overall heat transfer coefficient of profiles  $U_f$  from 0,85 to 1,23 W/m<sup>2</sup>K
- high resistance to water and air infiltration

### Functionality and Design

- wide range of opening elements in the façade: MB-70HI doors and windows ensuring high thermal insulation performance, awning windows based on the MB-SG50 system and roof windows
- possibility of bending profiles and building arched constructions

### Approvals and certificates



[www.aluprof.eu](http://www.aluprof.eu)

#### Headquarters; The Bielsko-Biała Plant

ul. Warszawska 153, 43-300 Bielsko-Biała, Poland  
tel. +48 33 81 95 300, fax +48 33 82 20 512

#### The Opole Plant

ul. Gostawicka 3, 45-446 Opole, Poland  
tel. +48 77 40 00 000, fax +48 77 40 00 006

e-mail: [aluprof@aluprof.eu](mailto:aluprof@aluprof.eu)

 **ALUPROF**  
ALUMINIUM SYSTEMS